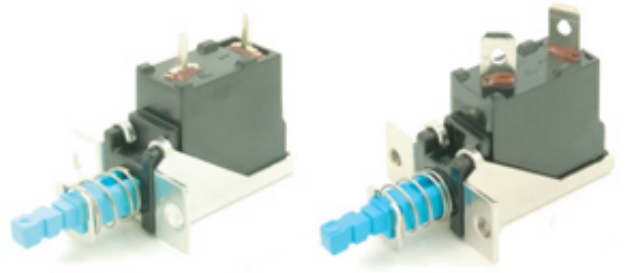
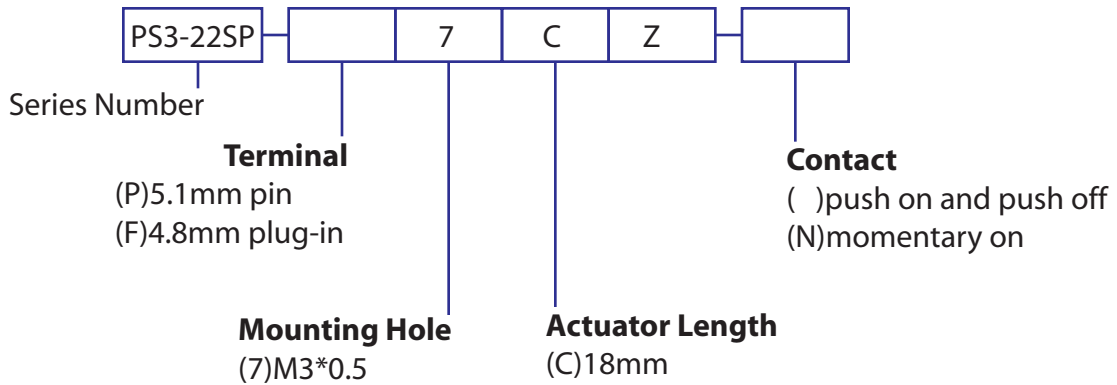


SPECIFICATION

Contact Rating: 10A/250VAC TV-8 120VAC  
 8A/128A 250V~ $\mu$ T85  
 Inrush Current: 128A/125VAC 4ms  
 Contact Resistance: 100m $\Omega$  (max) at initial  
 Insulation Resistance: 500M $\Omega$  (min) 500VDC  
 Dielectric Strength: 2000VAC/1 minute  
 Electrical Life: 25000 cycles  
 Operation Force: 500+/-200g



PART NUMBERING SYSTEM



DIMENSIONS(mm)

